

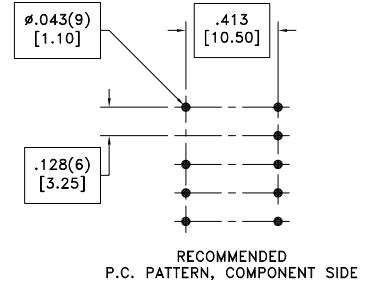
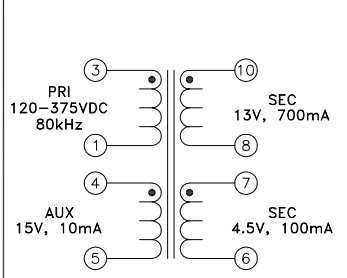
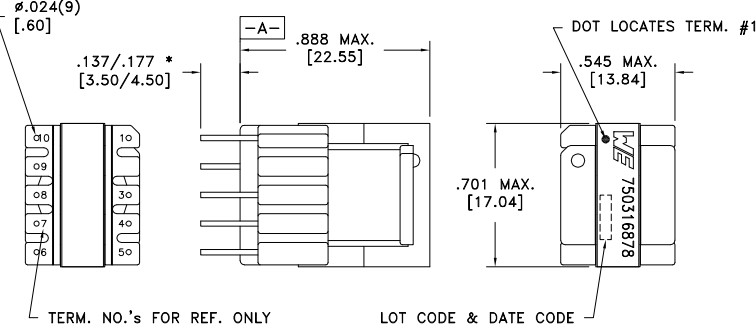
CUSTOMER TERMINAL	RoHS	LEAD(Pb)-FREE
Sn96%, Ag4%	Yes	Yes



ELECTRICAL SPECIFICATIONS @ 25°C unless otherwise noted:

PARAMETER	TEST CONDITIONS	VALUE
D.C. RESISTANCE	1-3 @20°C	3.60 ohms max.
D.C. RESISTANCE	4-5 @20°C	0.514 ohms max.
D.C. RESISTANCE	6-7 @20°C	0.052 ohms max.
D.C. RESISTANCE	8-10 @20°C	0.072 ohms max.
INDUCTANCE	3-1 10kHz, 100mVAC, Ls	2.20mH ±10%
INDUCTANCE	4-5 10kHz, 100mVAC, Ls	32.00uH ±10%
INDUCTANCE	10-8 10kHz, 100mVAC, Ls	12.00uH ±11%
INDUCTANCE	7-6 10kHz, 100mVAC, Ls	4.00uH typ.
SATURATION CURRENT	3-1 20% rolloff from initial	470mA
LEAKAGE INDUCTANCE	3-1 tie(4+5+6+7+8+10), 100kHz, 100mVAC, Ls	32uH typ., 64uH max.
DISTRIBUTED CAPACITANCE	3-1 100mVAC, Cs	30.0pF typ., 50pF max.
DIELECTRIC	3-10 tie(1+4), 4000VAC, 2 seconds	-
TURNS RATIO	(3-1):(4-5)	8.24:1, ±1%
TURNS RATIO	(3-1):(10-8)	14:1, ±1%
TURNS RATIO	(3-1):(7-6)	23.3:1, ±1%

PART MUST INSERT FULLY TO SURFACE A IN RECOMMENDED GRID * DIMENSION MAY BE EXCEEDED WITH SOLDER ONLY



GENERAL SPECIFICATIONS:

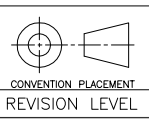
OPERATING TEMPERATURE RANGE: -40°C to +125°C including temp rise.

Designed to comply with the following requirements as defined by IEC61558-2-16 and EN61558-2-16:

- Reinforced insulation for a primary circuit at a working voltage of 265Vrms, 400Vpeak (operating frequency of <2MHz).

Wire insulation & RoHS status not affected by wire color.
Wire insulation color may vary depending on availability.

REV.	DATE	Packaging Specifications Method: Tray PKG-1030 www.we-online.com/midcom
6B	2/19	
6A	10/17	SEE REVISION SHEET FOR REVISION LEVEL



Tolerances unless otherwise specified:
Angles: ±1° Decimals: ±.005 [.13]
Fractions: ±1/64 Footprint: ±.001 [.03]
This drawing is dual dimensioned. Dimensions in brackets are in millimeters.

DRAWING TITLE
TRANSFORMER
eiSos p/n: 750316878



PART NO.
750316878
SPECIFICATION SHEET 1 OF 1