

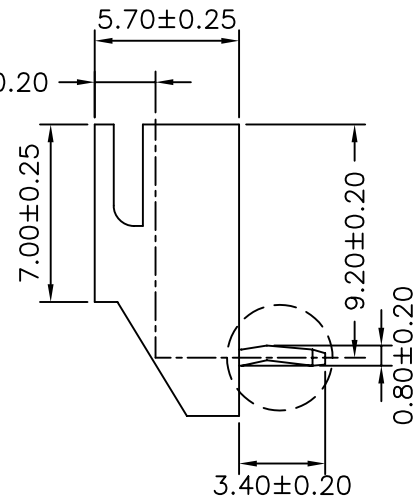
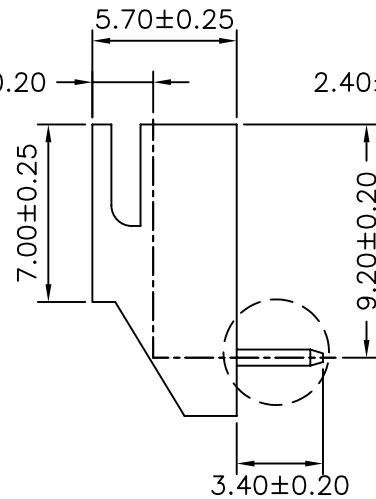
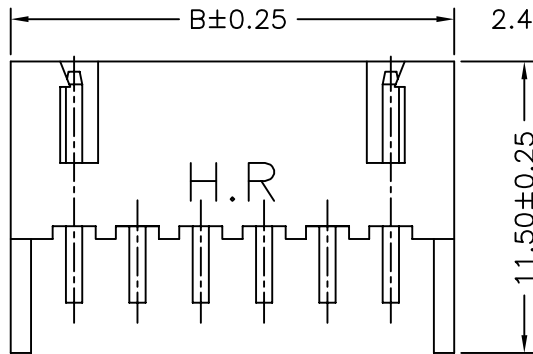
P/N LEGEND

A2501	WR	XP	N	0	W	T1	N	XX	G
①	②	③	④	⑤	⑥	⑦	⑧	⑨	⑩

① Series No.
 ② Connector type: WR=Right angle
 ③ No. of circuits
 ④ N=Halogen Free
 ⑤ Material: 0=Nylon 66-V0
 ⑥ Color: W=White
 ⑦ Plating code for contacts: T1=Tin-plated
 ⑧ Plating code: N=Non-plating
 ⑨ Option code:
 K0=With pin kink; 00=Without pin kink
 ⑩ Packing code: G=Bag

SPECIFICATIONS

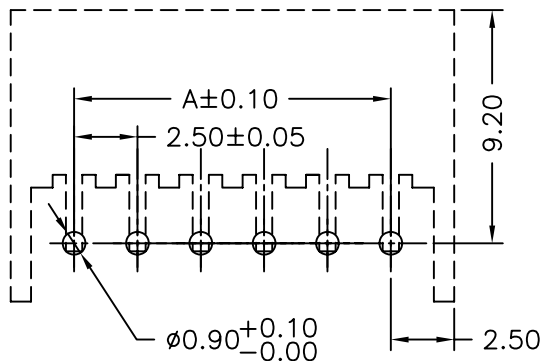
Current Rating: 3A AC,DC
 Voltage Rating: 250V AC,DC
 Temperature Range: -25°C ~ +85°C
 Contact Resistance: 10mΩ Max
 Insulation Resistance: 1000MΩ Min
 Withstanding Voltage: 1000V AC/minute
 Pin Material: Brass



00:Without pin kink

K0:With pin kink
(First pin & Last pin)

Circuit No.	Dimensions		Circuit No.	Dimensions	
	A	B		A	B
02P	2.50	7.50	12P	27.50	32.50
03P	5.00	10.00	13P	30.00	35.00
04P	7.50	12.50	14P	32.50	37.50
05P	10.00	15.00	15P	35.00	40.00
06P	12.50	17.50	16P	37.50	42.50
07P	15.00	20.00	17P	40.00	45.00
08P	17.50	22.50	18P	42.50	47.50
09P	20.00	25.00	19P	45.00	50.00
10P	22.50	27.50	20P	47.50	52.50
11P	25.00	30.00			



P.C.B LAYOUT

						燦達電子工業股份有限公司 JOINT TECH ELECTRONIC IND. CO., LTD.	
		UNIT	SCALE	SHEET	TITLE:		
		mm	1 : 1	1 of 1	2.50mm PITCH 90° WAFER		
		DRAWN BY	APPROVED BY				
		郭木恩	董正一				
		2013.09.17	2013.09.17		DRAW NO. : A2501WR-XPNXXXXXXXXX		
		GENERAL TOLERANCE					
A1	EN1401240004	2014.01.22	郭木恩	X. X±0.25	REV. A1		
A0	NEW RELEASE	2013.09.17	郭木恩	X. XX±0.15			
REV.	DESCRIPTION	DATE	NAME	X. XXX±0.05			