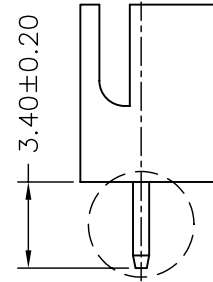
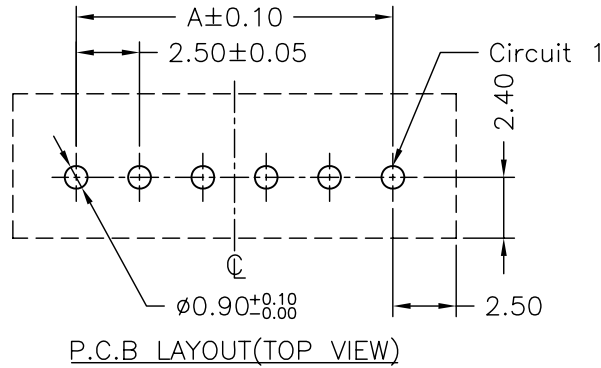
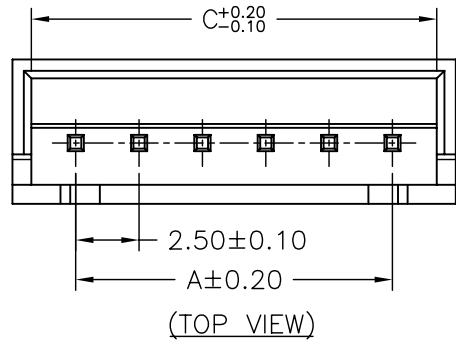


P/N LEGEND

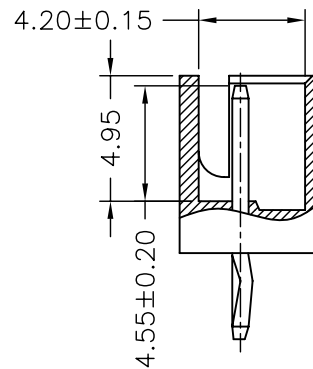
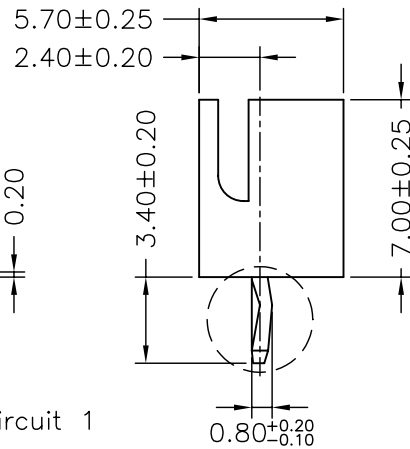
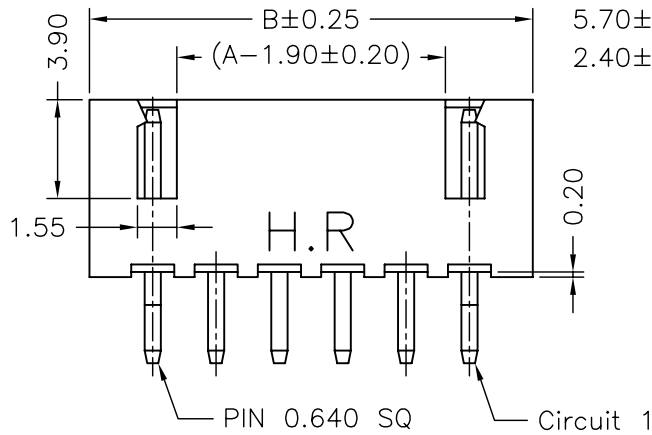
A2501 WV-XP N 0 W T1 N XX G									
①	②	③	④	⑤	⑥	⑦	⑧	⑨	⑩
① Series No.	② Connector type: WV=Vertical	③ No. of circuits	④ N=Halogen Free	⑤ Material: 0=Nylon 66-V0	⑥ Color: W=White	⑦ Plating code for contacts: T1=Tin-plated	⑧ Plating code: N=Non-plating	⑨ Option code: K0=With pin kink; 00=Without pink kink	⑩ Packing code: G=Bag



SPECIFICATIONS

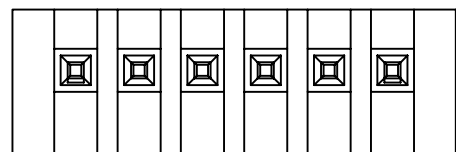
Current Rating: 3A AC,DC
 Voltage Rating: 250V AC,DC
 Temperature Range: -25°C ~ +85°C
 Contact Resistance: 10mΩ Max
 Insulation Resistance: 1000MΩ Min
 Withstanding Voltage: 1000V AC/minute
 Pin Material: Brass/Tin-plated
 Material: Nylon 66, UL94V-0
 Color: White

00:Without pin kink



Circuit No.	Dimensions			Circuit No.	Dimensions		
	A	B	C		A	B	C
02P	2.50	7.50	6.00	12P	27.50	32.50	31.00
03P	5.00	10.00	8.50	13P	30.00	35.00	33.50
04P	7.50	12.50	11.00	14P	32.50	37.50	36.00
05P	10.00	15.00	13.50	15P	35.00	40.00	38.50
06P	12.50	17.50	16.00	16P	37.50	42.50	41.00
07P	15.00	20.00	18.50	17P	40.00	45.00	43.50
08P	17.50	22.50	21.00	18P	42.50	47.50	46.00
09P	20.00	25.00	23.50	19P	45.00	50.00	48.50
10P	22.50	27.50	26.00	20P	47.50	52.50	51.00
11P	25.00	30.00	28.50				

K0:With pin kink
(First pin & Last pin)



燦達電子工業股份有限公司 JOINT TECH ELECTRONIC IND. CO., LTD.				UNIT	SCALE	SHEET	TITLE:
				mm	1 : 1	1 of 1	
DRAWN BY 陳敏 2011.08.08				APPROVED BY 董正一 2011.08.08		2.50mm PITCH 180° WAFER	
A2	EN1401240004	2014.01.22	郭本思	X. X±0.25	ANGLE±		DRAW NO. : A2501WV-XPNXXXXXXXXX
A1	EN1301030004	2013.01.03	郭本思	X. XX±0.15	▽ ⊕		
A0	NEW RELEASE	2011.08.08	陳敏	X. XXX±0.05			REV. A2
REV.	DESCRIPTION	DATE	NAME				